

ALoc® Series Fasteners

Airloc® Replacement TSO-C148

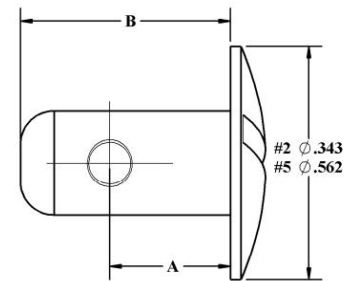
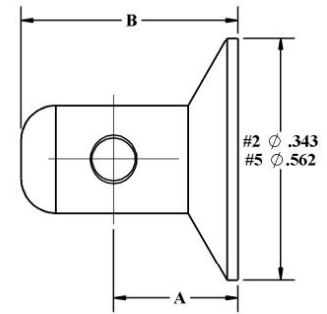
ALoc® Fasteners are common on Beechcraft® airplanes and latches on many cowlings. The design consists of a simple stud with a pin pressed in the shank. The pin must be installed after the stud is installed and removed prior to removing the stud. Some panel applications for #2, #5, and #7 studs may use a wear grommet. Unlike a ZLoc® Fastener, this grommet probably does not require replacement when replacing studs. ALoc® Fasteners are made in various stud blank lengths and this length is indicated by the 1st Dash#. Each length can have up to 10 2nd Dash#, or grip sizes. The 2nd Dash# indicates the maximum grip range in .010 increments. Note that the ALoc® design has the least grip range of all 1/4 turn fasteners. Skybolt primarily stocks certain sizes in Stainless Steel for replacement purposes only. See Conversion Kits for STCd Aloc to CLoc (Camloc style) conversions.

ALoc® Studs

Series	Flush Steel Hd#	Round Steel Hd#	Head Dia	Pin#	Cloc® Conversion
1	294426	294422	1/4	294424	
2	98264	98293	11/32	SK99785-2	2000 Series
5	98265	98292	9/16	SK99836	4000 Series
7	98266	98291	11/16	99799	



Airloc Steel Part#	Skybolt Aloc Stainless Part#	Type	Grip	'A'	Length
98264-2-090	SK112060-1-090	#2 Flush	.081-.090	.230	.359
98293-1-060	SK98293-1-060SS	#2 Round	.051-.060	.200	.359
98265-1-070	SK294186-1-070	#5 Flush	.061-.070	.257	.500
98265-1-080	SK294186-1-080	#5 Flush	.071-.080	.267	.500
98265-1-100	SK294186-1-100	#5 Flush	.091-.100	.287	.500
98265-2-180	SK294186-2-180	#5 Flush	.171-.180	.367	.609
98265-2-190	SK294186-2-190	#5 Flush	.181-.190	.377	.609
98265-2-200	SK294186-2-200	#5 Flush	.191-.200	.387	.609
98265-2-210	SK294186-2-210	#5 Flush	.201-.210	.397	.609
98265-2-230	SK294186-2-230	#5 Flush	.220-.230	.417	.609
98265-2-240	SK294186-2-240	#5 Flush	.231-.240	.427	.609
98265-2-250	SK294186-2-250	#5 Flush	.241-.250	.437	.609
98292-1-080	SK294290-1-080	#5 Round	.071-.080	.267	.500
98292-1-090	SK294290-1-090	#5 Round	.081-.090	.277	.500
98292-2-170	SK294290-2-170	#5 Round	.161-.170	.357	.609
98292-2-250	294290-2-250	#5 Round	.241-.250	.437	.609



ALoc® Grommets

Series	Panel Thickness	Flush Hd#	Round Hd#
1	None		
2	Up to .040	295846-1	
	.041-.080	295846-2	98013
5	.040-.121	295250-1	295902
	.122-.201	295250-2	99874-1
7	Up to .040	295900-1	99874-2
	.041-.121	295900-2	295899-1
			295899-2

ALoc® Receptacles

Series	Solid, Plain Receptacle	Csk	Plain Floating Rec	Csk	Rivet	Rivet Space
1	294420-P067	294420-C067			1/16	1/2
	294420-P098				3/32	1/2
2	99871-P098	98871-C098		99967-C098	3/32	3/4
5	99833-P098	99833-C098	99947-P098	99947-C098	3/32	1.0
	99833-P130	99833-C130	99947-P130	99947-C130	1/8	1.0
7	99797-P098	99797-C098			3/32	1-3/8
	99797-P130	99948-P130	99948-P130	99948-C130	1/8	1-3/8

ZLoc® & ALoc® Tooling

SK-DT1 Panel Dimpling Tool

Dimple any .375 diameter hole 100 to 120 degrees. Use with Size 5, 6, or ZGF65 Series studs. Simply place dies on opposite sides of the panel, insert bolt-nut, and tighten to desired depth.



GROMMET TOOLING - ZLoc® Aircraft Series

The Skybolt® ZLoc® or Dzus® installation tools are specifically designed for the SK-41405-3 Clamp Tool. We developed this method of staking the ZLoc® stud/grommet 25 years ago with preferred results in insuring a uniform installation. The traditional hammer tools are very awkward to use and typically result in a poor installation. Only Skybolt® uses a unique centering system that allows the dies to float and self-align. Competitor's tools are pre-set in the clamp thus alignment many or may not be true. We stock a complete range of tools from -3 thru -6.5 sizes. One SK-41405-2 Clamp fits all tool sets. Order clamp separate.

SK-41405-3 Clamp Sets	
Set (Less Clamp)	
SK-A3C	4 Tools
SK-F3C	2 Tools
SK-A4C	4 Tools
SK-F4C	2 Tools
SK-A5C*	4 Tools
SK-F5C	2 Tools
SK-A6C	4 Tools
SK-F6C	2 Tools
SK-A65C	4 Tools
SK-F65C	2 Tools



ZLoc Driver



ZLoc® Spring Adjusting Tool SK-7302

Designed to modify spring tension in either direction even when mounted to thin panels. Works with #5 and #6 ZLoc® Springs.



ALoc® Series Grommet Tools

A must to replace any ALoc® Grommet
Use with SK-41405-3 Clamp

Tool	Type Head
SK29693/29695C	#2 Flush
SK9529/29667C	#5 Flush
SK9529/29770C	#5 Round

