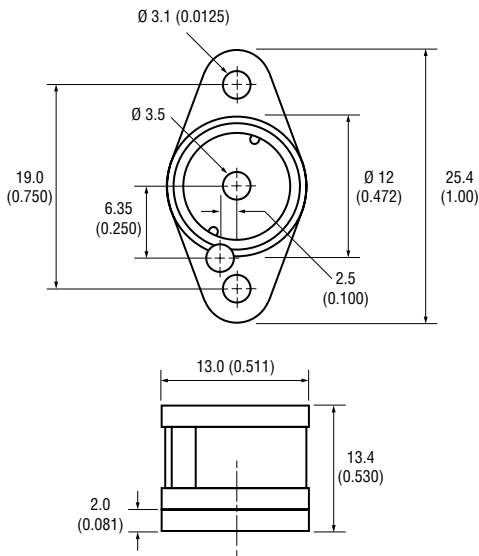


CLoc® Light Duty 2600/2800 series

Adjustable Receptacle - SK213-28



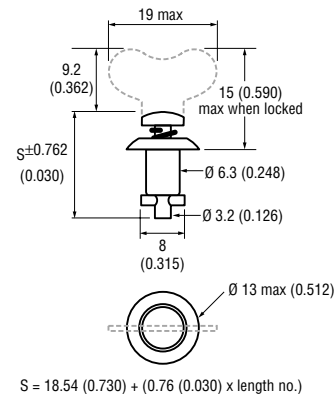
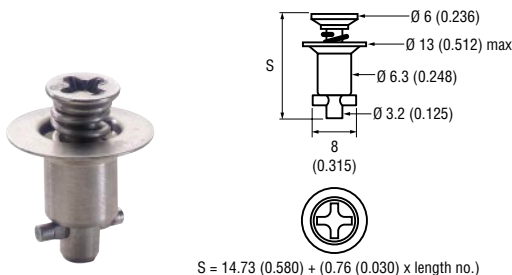
- Unique adjustable receptacle allows a single stud length to cover a range of thickness.
- Studs compatible with industry standard fasteners with common dash numbers -1 to -11.
- Super lightweight Skytanium® offers 600lbs (272Kgs.) ultimate load at around 50% the weight of steel.
- Stainless fasteners approved to FAA TSO-C148. Strength ratings exceed MIL-5591C.



FAST, EASY ADJUSTMENT



Studs - available in Stainless Steel & Skytanium®



SK28S3 -*S Stainless Steel
ZG28S3 -* Skytanium®

SK2600 -*S Stainless Steel
ZG2600 -*W Skytanium®

SK26S51 -*S Stainless Steel
ZG2600 -* Skytanium®

MAXIMUM GRIP RANGES

Stud Dash*	Min Grip (1)	Max Grip (2)
-1	0.010 (.254mm)	0.31 (7.87mm)
-2	0.040 (1.01mm)	0.34 (8.63mm)
-3	0.070 (1.77mm)	0.37 (9.398mm)
-4	0.100 (2.54mm)	0.40 (10.16mm)
-5	0.130 (3.30mm)	0.43 (10.92mm)
-6	0.160 (4.06mm)	0.46 (11.68mm)
-7	0.190 (4.82mm)	0.49 (12.45mm)
-8	0.220 (5.58mm)	0.52 (13.20mm)
-9	0.250 (6.35mm)	0.55 (13.97mm)
-10	0.280 (7.11mm)	0.58 (14.73mm)
-11	0.310 (7.87mm)	0.61 (15.49mm)

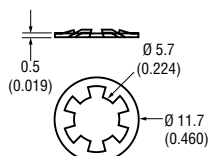
MAXIMUM GRIP RANGES

Stud Dash*	Min Grip (1)	Max Grip (2)
-1	0.010 (.254mm)	0.37 (9.398mm)
-2	0.040 (1.01mm)	0.40 (10.16mm)
-3	0.070 (1.77mm)	0.43 (10.92mm)
-4	0.100 (2.54mm)	0.46 (11.68mm)
-5	0.130 (3.30mm)	0.49 (12.45mm)
-6	0.160 (4.06mm)	0.52 (13.20mm)
-7	0.190 (4.82mm)	0.55 (13.97mm)
-8	0.220 (5.58mm)	0.58 (14.73mm)
-9	0.250 (6.35mm)	0.61 (15.49mm)
-10	0.280 (7.11mm)	0.64 (16.25mm)
-11	0.310 (7.87mm)	0.67 (17.01mm)

Retaining Rings



SK2600-LW Rigid
standard for most flat panels



SK2600-SW Non-Rigid
may be required for stiff, curved panels

